

EN164: Design of Computing Systems

Lecture 27: Memory Systems 3

Professor Sherief Reda

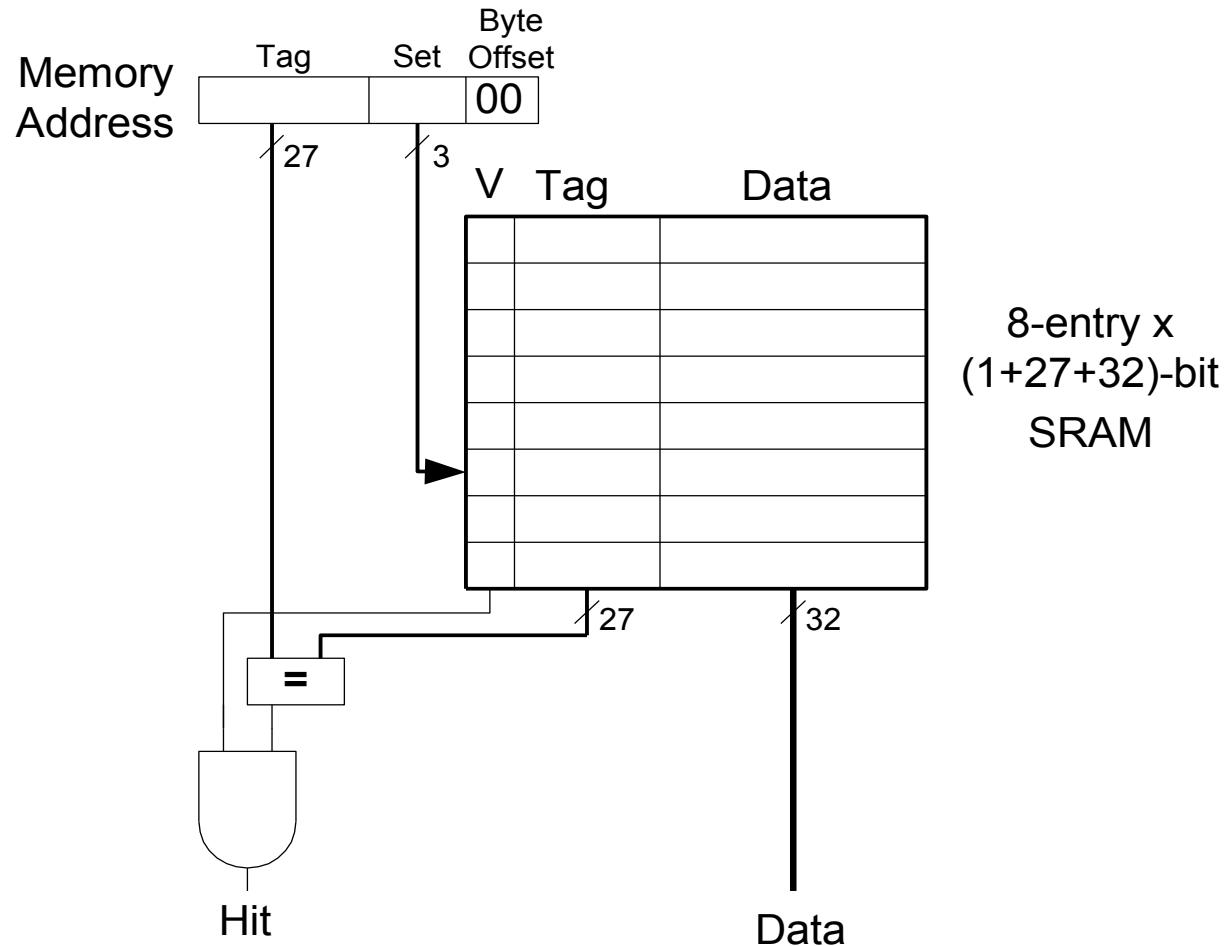
<http://scale.engin.brown.edu>

Electrical Sciences and Computer Engineering
School of Engineering
Brown University
Spring 2011



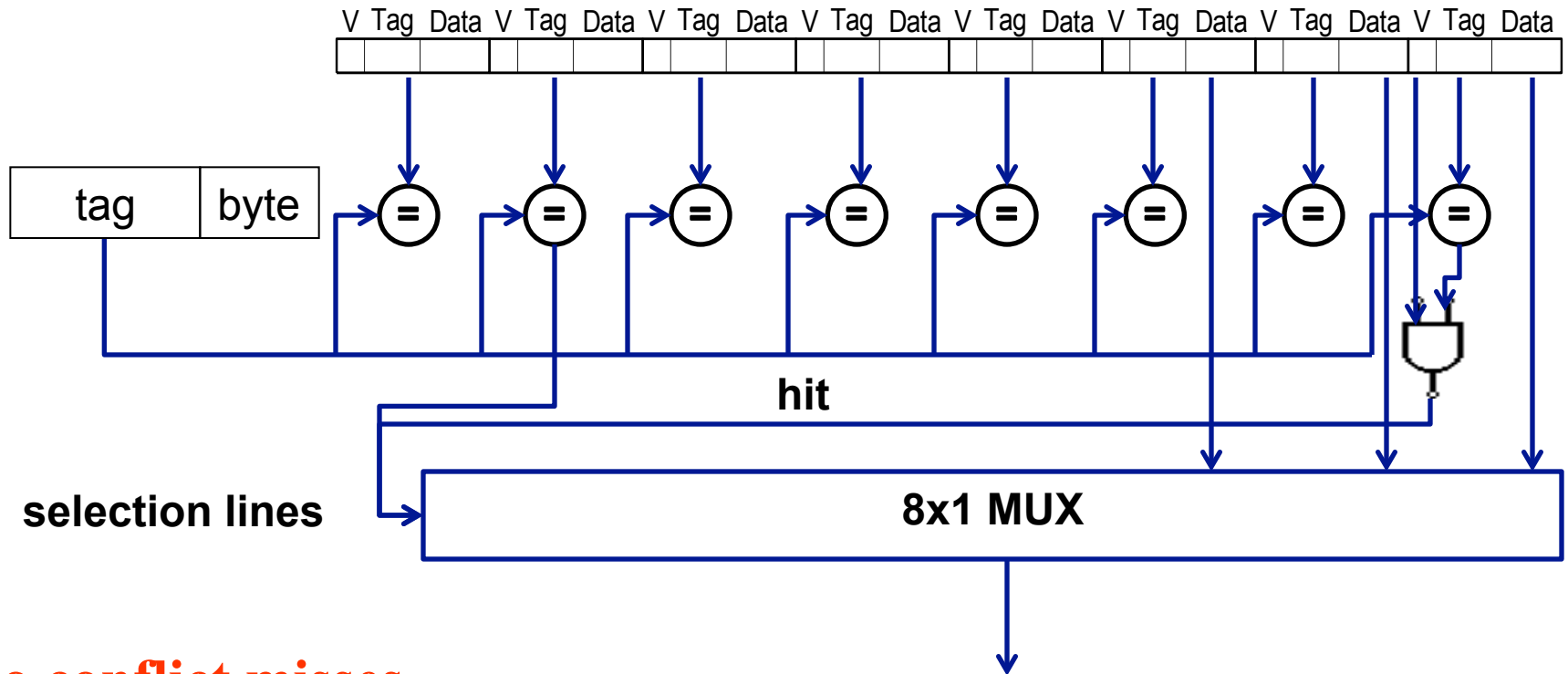
[material from Patterson & Hennessy, 4th ed and Harris 1st ed]

Direct mapped cache reminder



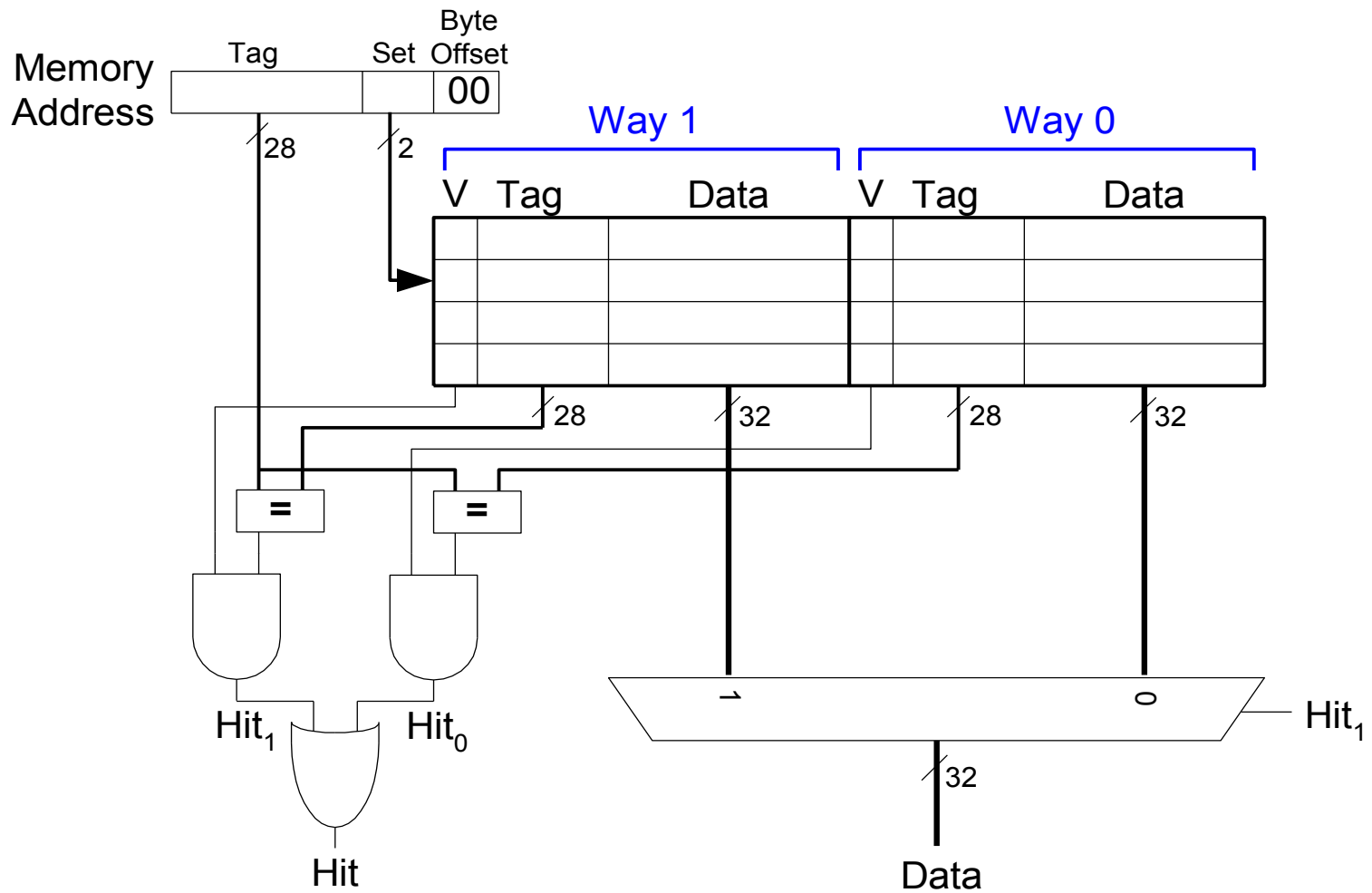
Cache memory block/line could consist of a number of bytes

Fully associative cache



No conflict misses
Expensive to build

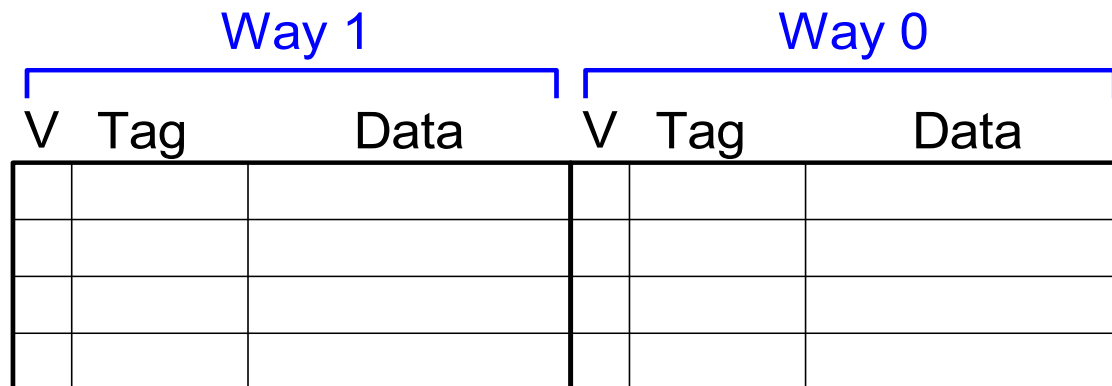
N-way set associate cache



N-way set associative cache example

MIPS assembly code

```
        addi $t0, $0, 5
loop:   beq  $t0, $0, done
        lw   $t1, 0x4($0)
        lw   $t2, 0x24($0)
        addi $t0, $t0, -1
        j    loop
done:
```



N-way set associative cache example

MIPS assembly code

```

    addi $t0, $0, 5
loop: beq  $t0, $0, done
      lw   $t1, 0x4($0)
      lw   $t2, 0x24($0)
      addi $t0, $t0, -1
      j    loop
done:

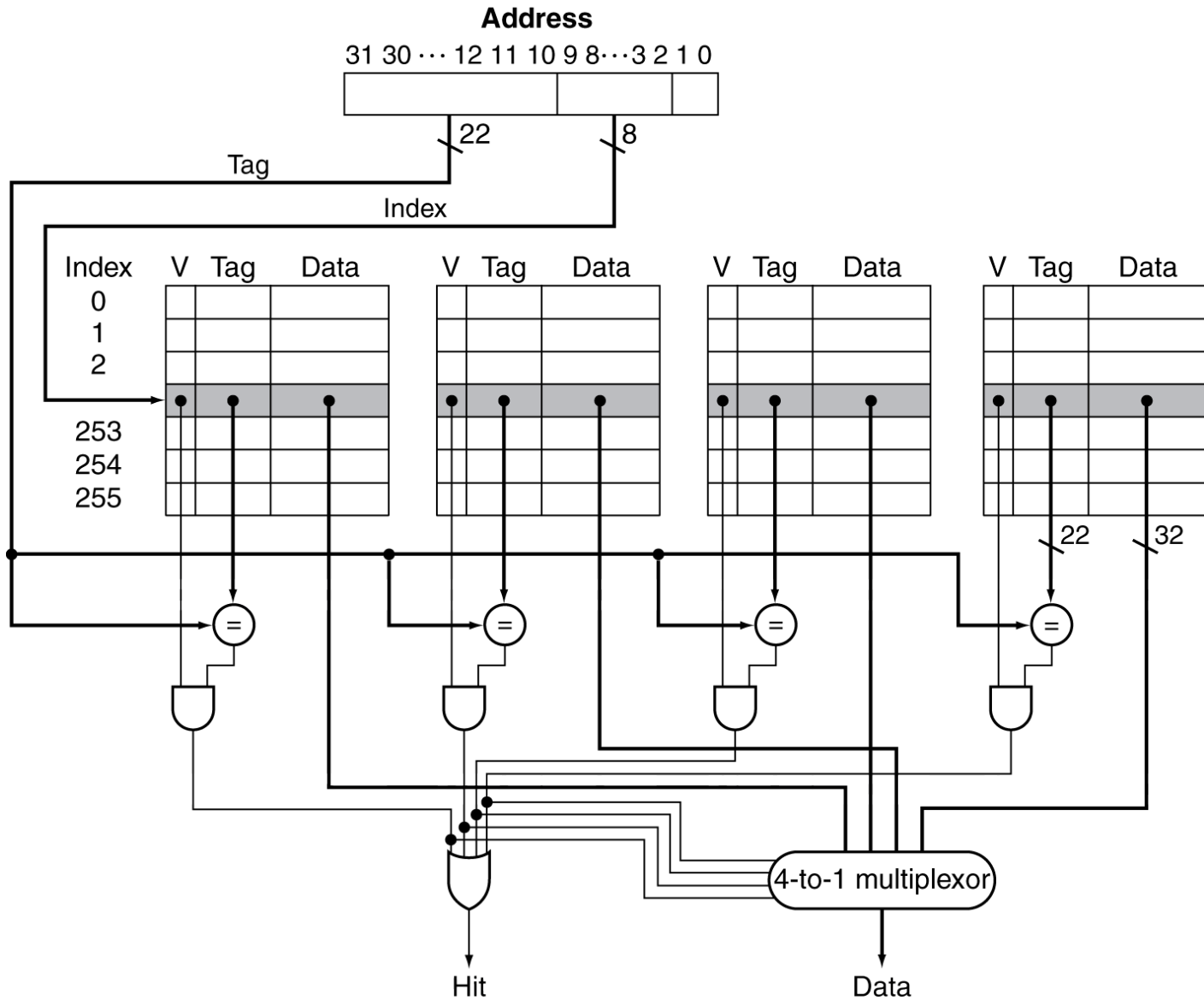
```

Miss Rate = 2/10
= 20%

**Associativity reduces
 conflict misses**

Way 1			Way 0			
V	Tag	Data	V	Tag	Data	
0			0			Set 3
0			0			Set 2
1	00...10	mem[0x00...24]	1	00...00	mem[0x00...04]	Set 1
0			0			Set 0

4-way associative



Spectrum of associativity

- For a cache with 8 entries

**One-way set associative
(direct mapped)**

Block	Tag	Data
0		
1		
2		
3		
4		
5		
6		
7		

Two-way set associative

Set	Tag	Data	Tag	Data
0				
1				
2				
3				

Four-way set associative

Set	Tag	Data	Tag	Data	Tag	Data	Tag	Data
0								
1								

Eight-way set associative (fully associative)

Tag	Data	Tag	Data	Tag	Data	Tag	Data	Tag	Data	Tag	Data	Tag	Data	Tag	Data

Comparison example

- Compare 4-block caches
 - Direct mapped, 2-way set associative, fully associative
 - Block access sequence: 0, 8, 0, 6, 8
- Direct mapped

Block address	Cache index	Hit/miss	Cache content after access			
			0	1	2	3
0	0	miss	Mem[0]			
8	0	miss	Mem[8]			
0	0	miss	Mem[0]			
6	2	miss	Mem[0]		Mem[6]	
8	0	miss	Mem[8]		Mem[6]	

Comparison example

■ 2-way set associative

Block address	Cache index	Hit/miss	Cache content after access			
			Set 0		Set 1	
0	0	miss	Mem[0]			
8	0	miss	Mem[0]	Mem[8]		
0	0	hit	Mem[0]	Mem[8]		
6	0	miss	Mem[0]	Mem[6]		
8	0	miss	Mem[8]	Mem[6]		

■ Fully associative

Block address		Hit/miss	Cache content after access			
0		miss	Mem[0]			
8		miss	Mem[0]	Mem[8]		
0		hit	Mem[0]	Mem[8]		
6		miss	Mem[0]	Mem[8]	Mem[6]	
8		hit	Mem[0]	Mem[8]	Mem[6]	

How much associativity?

- Increased associativity decreases miss rate
 - But with diminishing returns
- Simulation of a system with 64KB D-cache, 16-word blocks, SPEC2000
 - 1-way: 10.3%
 - 2-way: 8.6%
 - 4-way: 8.3%
 - 8-way: 8.1%